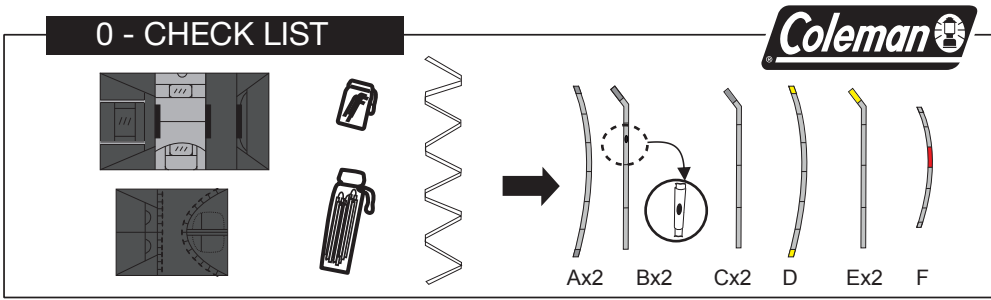

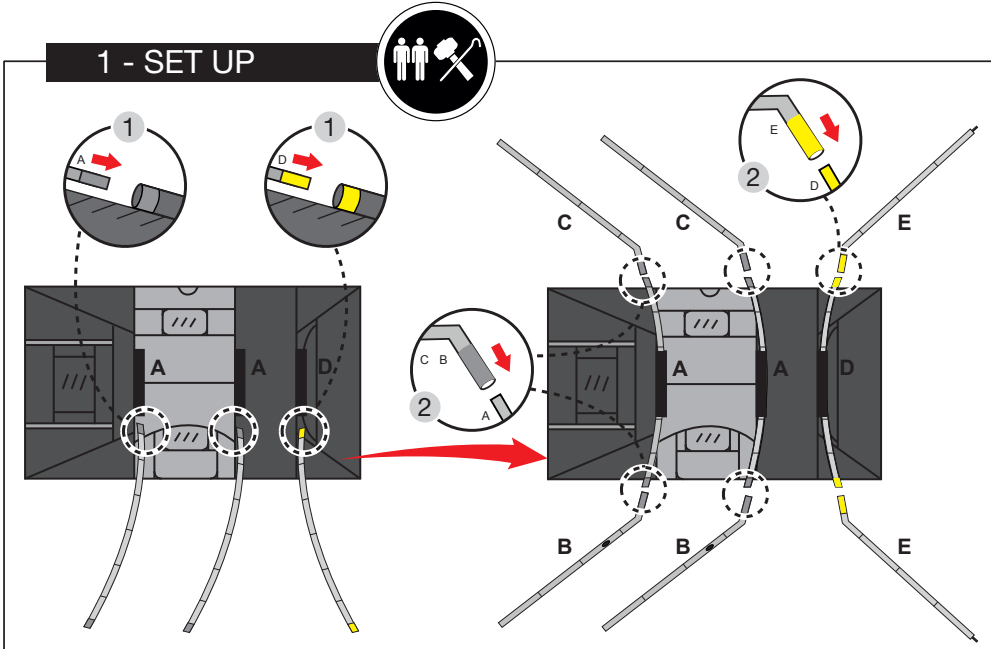


0 - CHECK LIST

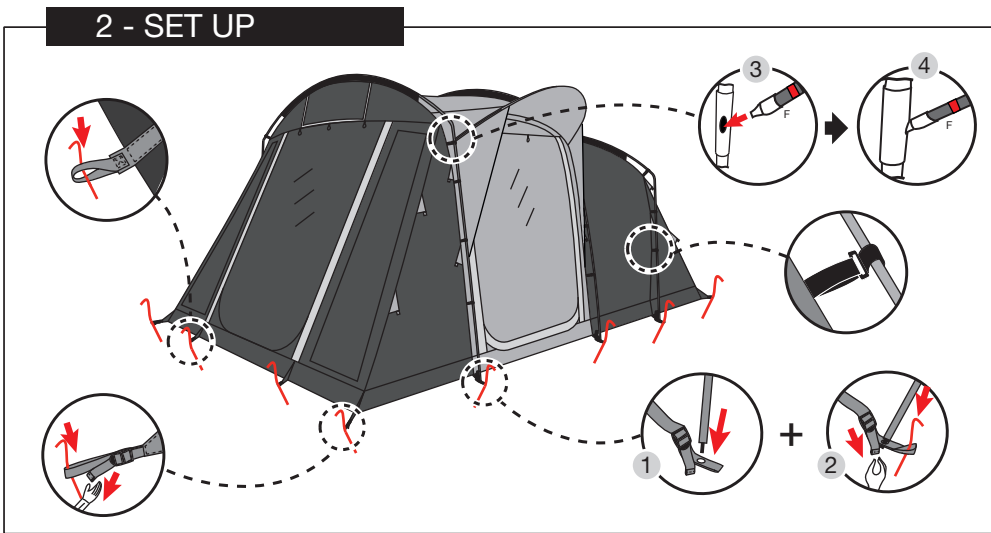


Ax2 Bx2 Cx2 D Ex2 F

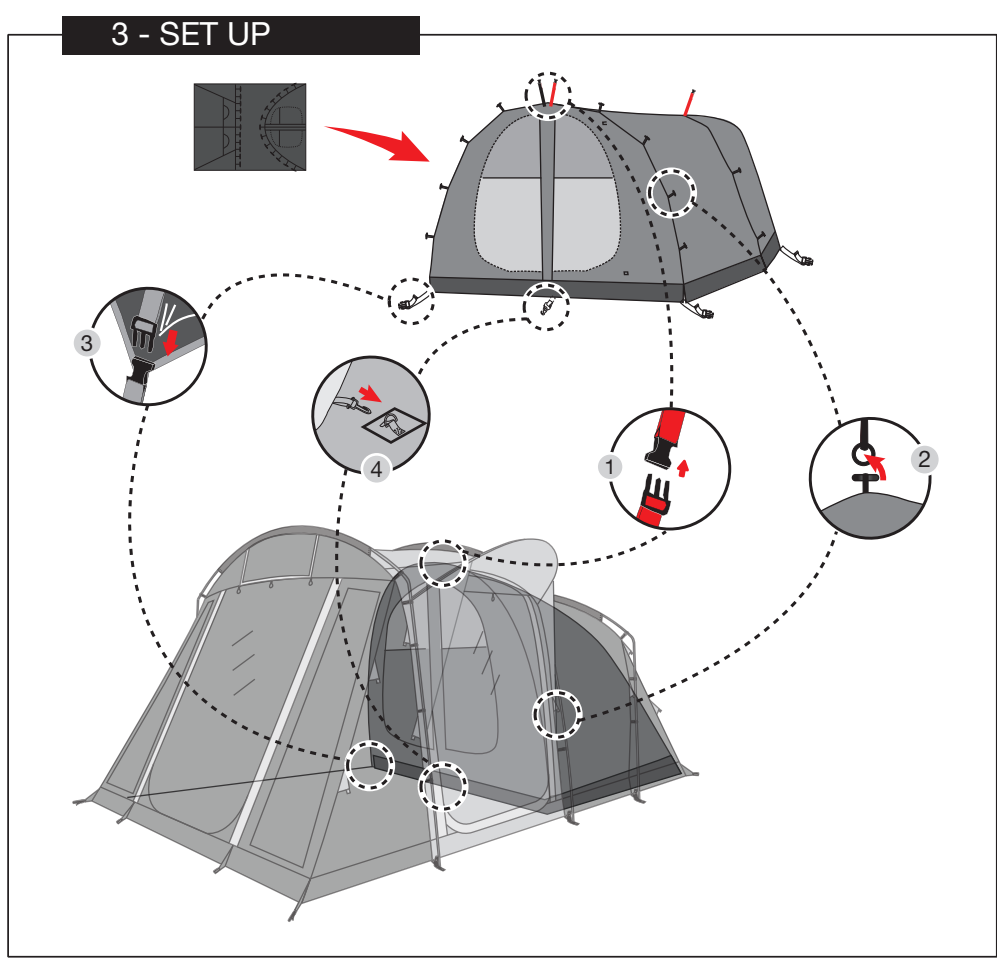
1 - SET UP



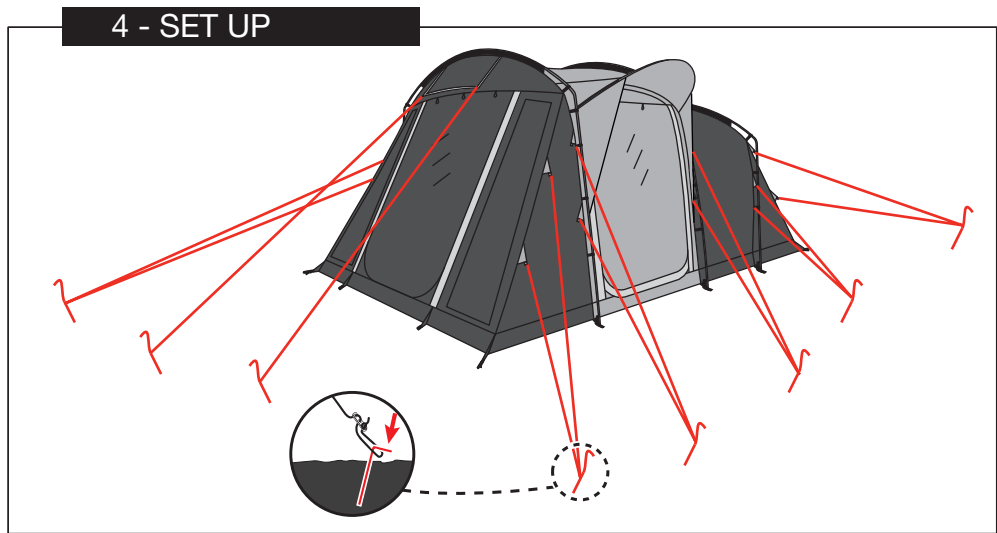
2 - SET UP



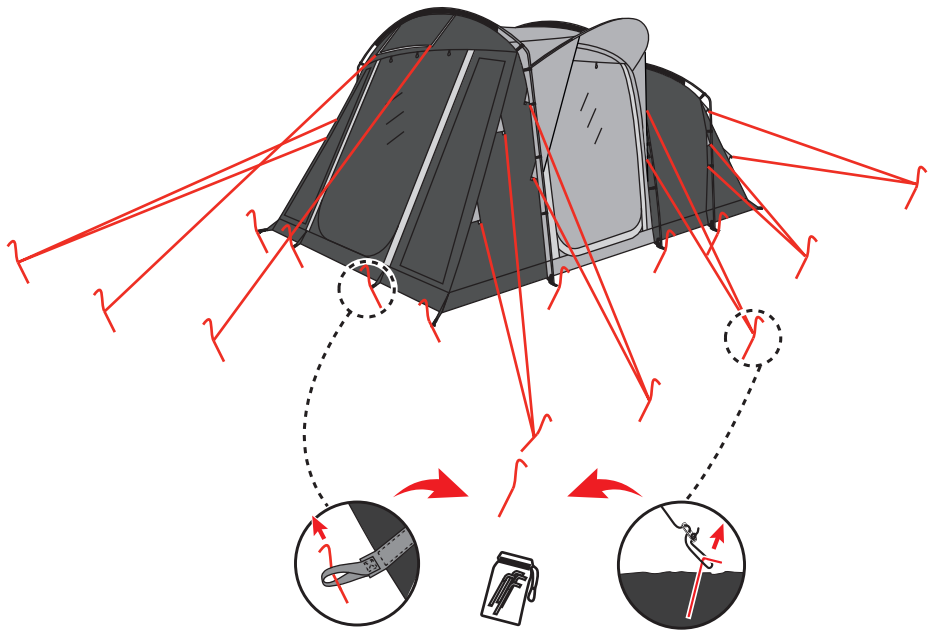
3 - SET UP



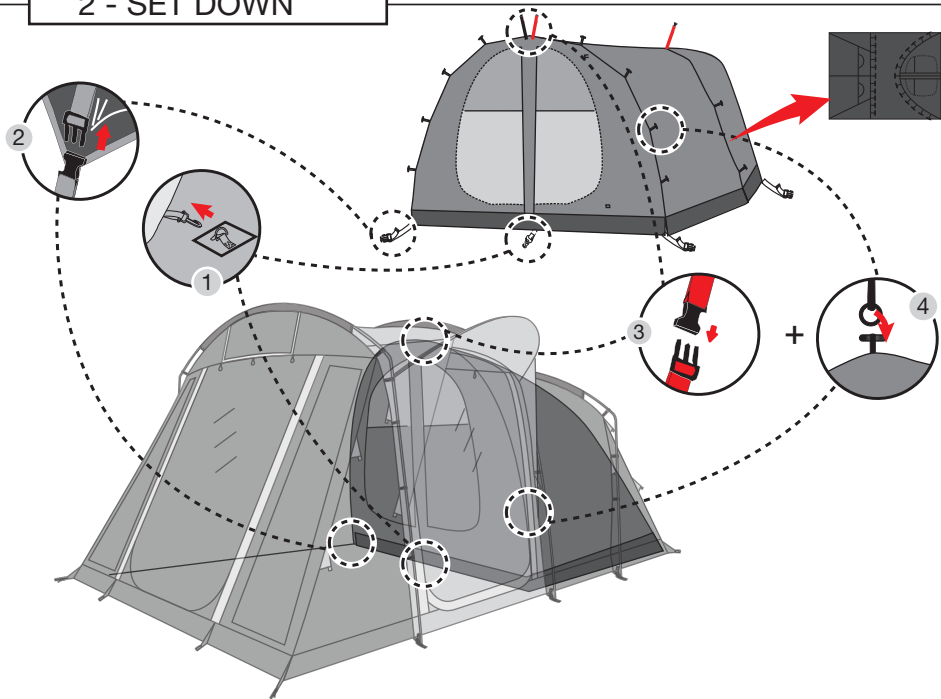
4 - SET UP



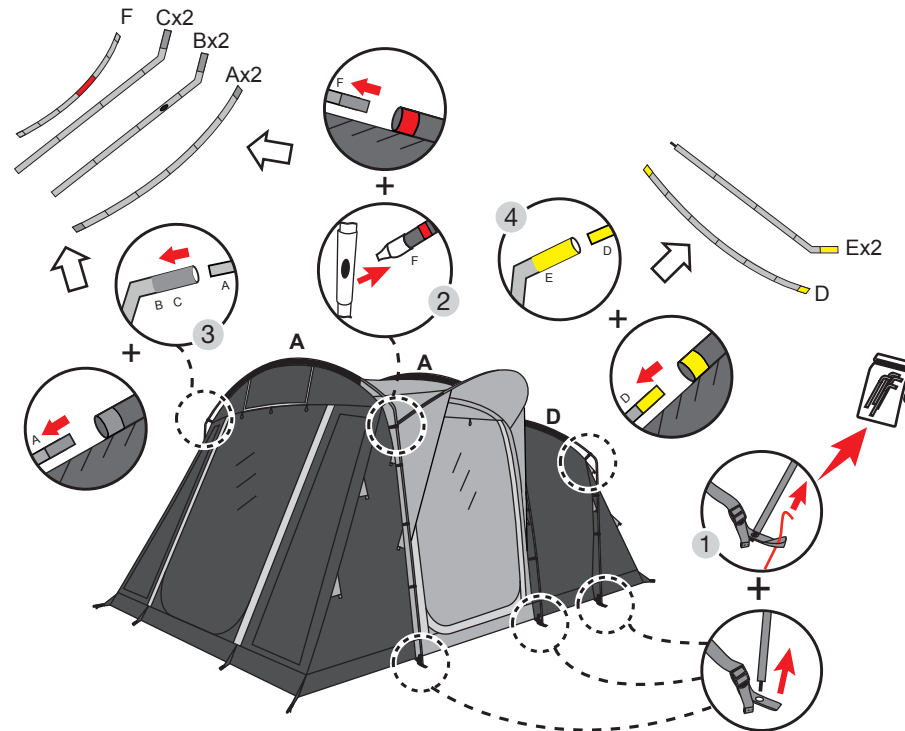
1 - SET DOWN



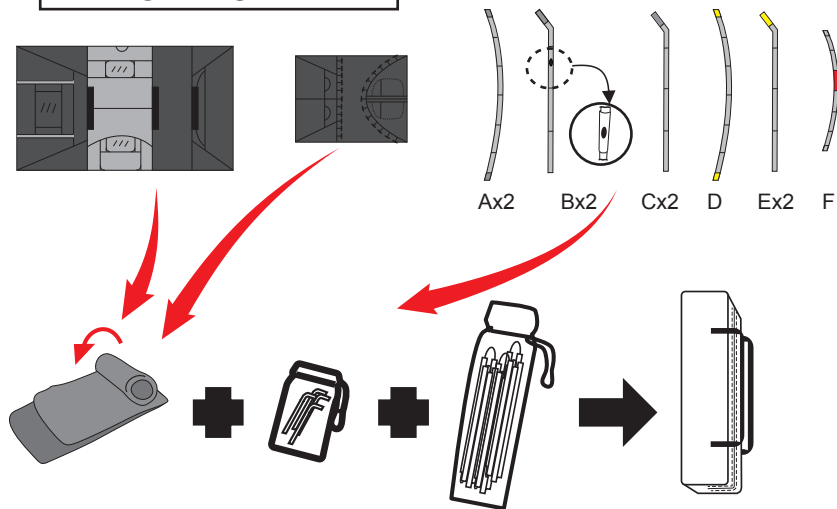
2 - SET DOWN



3 - SET DOWN



4 - SET DOWN



Stitch Line